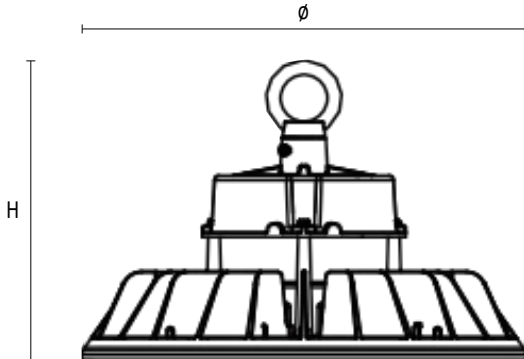




Product Image



Line Drawing



Product Description

The LED Round High Bays are engineered to offer highly efficient retrofit solutions to provide fantastic energy cost savings in warehouses, factories, retail stores and more.

Luminaire

Model	Diameter	Height	Wattage	CCT	Lumens
LRHBD-100-3L-40K	10.23"	6.60"	100W	4000K	15000lm
LRHBD-150-3L-40K	10.23"	6.60"	150W	4000K	22500lm
LRHBD-200-3L-40K	11.04"	7.44"	200W	4000K	30000lm
LRHBD-240-3L-40K	11.04"	7.44"	240W	4000K	36000lm

Ingress Protection IP65

Material Die-Casting Aluminum Alloy housing and Polycarbonate diffuser

LEDs

Type	LED
CCT	Single CCT or 3CCT (4000K, 5000K & 6000K)
Ra	>80

Driver

Driver	Built-in driver
Input Voltage	120-277VAC
Output Current	Constant Current
Dimming	0-10V dimming

Sensor

Microwave & Photocell Sensor (Optional)

Emergency Battery

Optional

Certification

cETLus

Warranty

5 year warranty