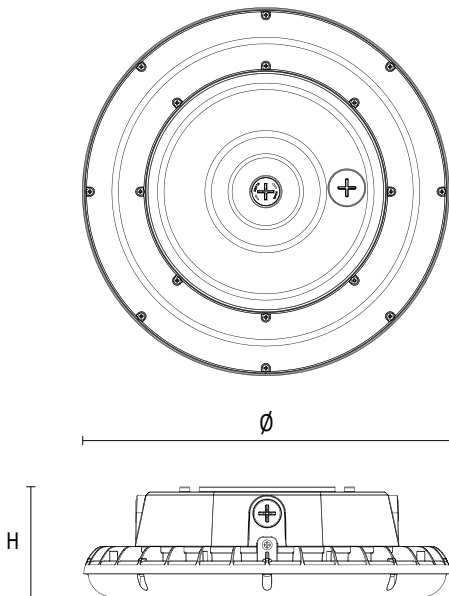




Product Image



Line Drawing



Product Description

The LED Garage Light uses a rigid diffuser which gives the best lighting performance. It is an energy efficient replacement for traditional parking garages or canopies.

Luminaire

Model	Diameter	Height	Wattage	CCT	Lumen @4000K
LGLR-40-35K	11.42"	3.42"	40W	3500K	5200lm
LGLR-60-35K	11.42"	3.42"	60W	3500K	7800lm

Beam Angle	150 degree
Ingress Protection	IP65
Operation Temp.	-20 ~ 40°C
Material	Die-Casting Aluminum Alloy housing and Polycarbonate diffuser

LEDs

Type	LED
CCT	Single CCT or 3CCT (3000K, 4000K & 5000K)
Ra	>80

Driver

Driver	Built-in driver
Input Voltage	120-277VAC
Output Current	Constant Current
Power Factor	> 0.
Dimming	Ø10V dimming

Sensor

Microwave & Photocell Sensor (Optional)

Emergency Battery

Optional

Certification

cETLus

Warranty

5 year warranty