



# LED Disk Light with Sensor

## Product Image



## Luminaire

Model	Diameter	Height	Wattage	CCT	Lumen @3000K
LDK7-14-30K-PIR	7.5"	1.37"	14W	3000K	1000lm

Key Feature      Designed to surface mount over a standard junction box.

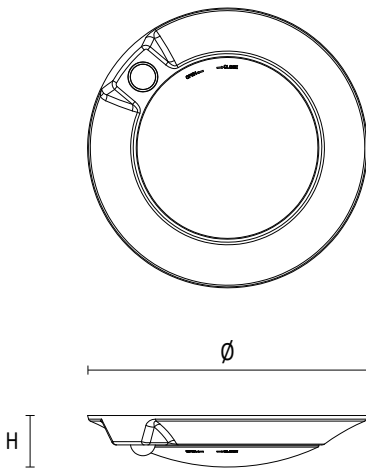
## LEDs

Type	LED
CCT	Single CCT or 5CCT selectable
Ra	>90

## Driver

Driver	Built-in driver
Input Voltage	120VAC
Output Current	Constant current
Dimming	Non dimmable

## Line Drawing



## Sensor

PIR Sensor

## Certification

ETL listed

## Warranty

5 year warranty